

MIL-W-3800/1~1000mW

**LD PUMPED ALL-SOLID-STATE
INFRARED LASER AT 3800nm**

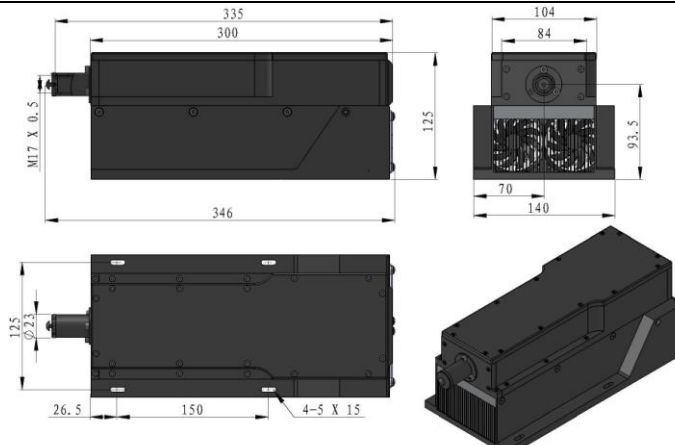
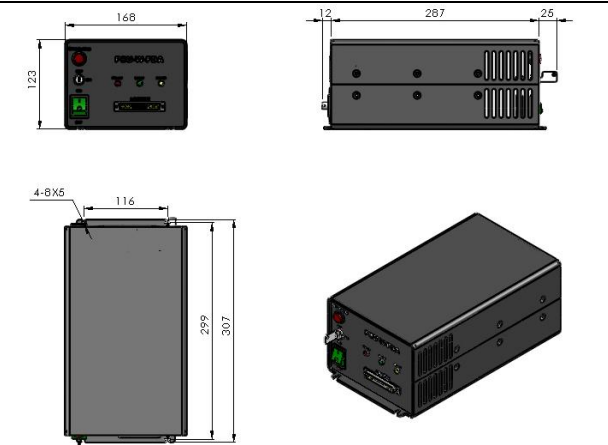
CNI's All solid state infrared laser at 3800nm features high power ,good beam quality and easy operating, it is widely used in spectroscopy, remote sensing, medical, counter-measure, etc.



SPECIFICATIONS

Wavelength (nm)	3800±30		
Operating mode	CW		
Output power (mW)	≥1, 50,... 200,	>200, 300,...500	>500, 600,... 1000
Power stability (rms, over 4 hours)	<3%, <5%	<3%, <5%	<5%, <10%
Beam divergence, full angle (mrad)	<6	<7	<10
Beam diameter at the aperture (1/e ² ,mm)	<5	<5	<8
Polarization ratio	~500:1		
Beam height from base plate (mm)	93.5		
Warm-up time (minutes)	<10		
Operating temperature (°C)	10~35		
Power supply (90-264VAC)	PSU-W-FDA		
Expected lifetime (hours)	10000		
Warranty period	1 year		



MIL-W-3800	PSU-W-FDA
 <p>346(L)×140(W) ×125(H) mm³, 5.7kg</p>	 <p>307 (L) ×168(W) ×123(H) mm³, 4.5kg</p>